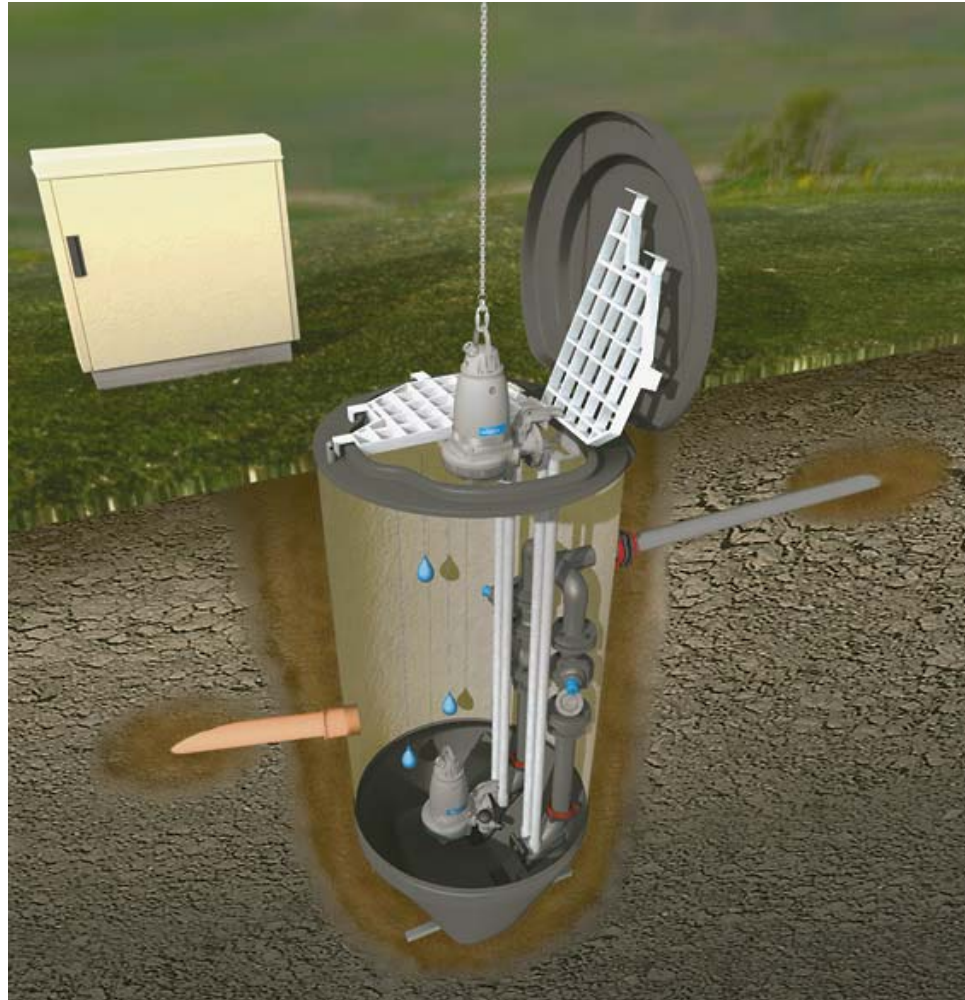
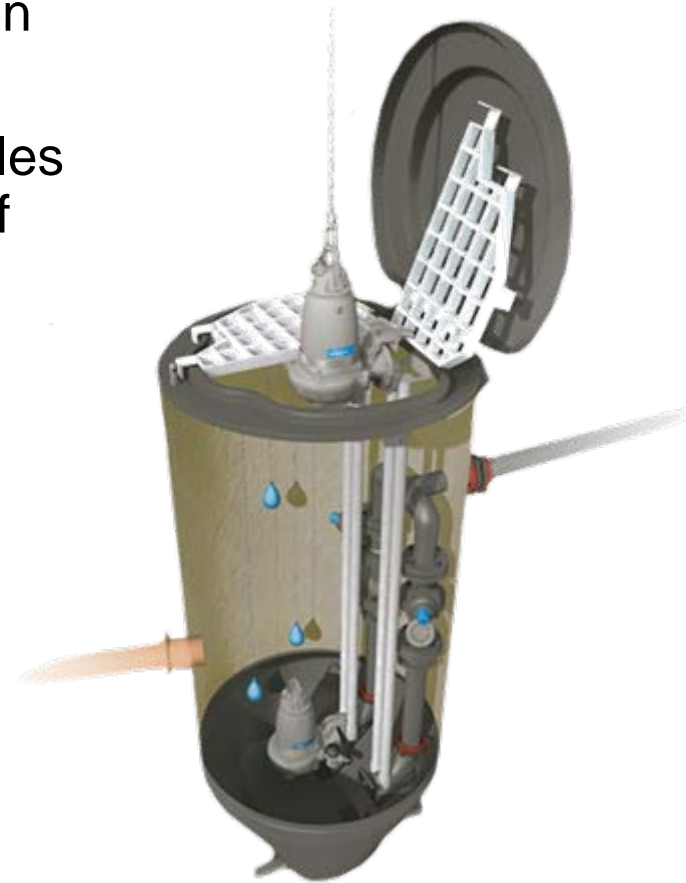


# TOP - The Optimal Pump station



# TOP – Turnkey pump stations

- A range of waste pump stations to suit depths between 2 and 6 meters in capacities between 4 and 95 liters per second.
- A series of standardized, prefabricated modules that simplify the construction and assembly of a complete pump station.
- Delivered with your configuration of valves, discharge piping, inlet and outlet connections.
- Easily transportable to even remote locations.
- Easy installation.



# TOP – Designed to clean itself

- A conventional sump floor require regular cleaning and costly maintenance.
- This represents real health and safety hazards to personnel.
- A TOP sump reduces the build up of solids and sludge in two ways:
  1. The floor area is much smaller. This means that all sediment collects directly beneath the pump, where the suction is the strongest.
  2. The patented TOP sump geometry optimizes the flow over the floor of the pump station. The discharge connections are designed to maximize flow patterns over the bottom.



# TOP - Installation





# TOP – Fit it and forget it

- With a self-cleaning design, you can fit a TOP pump station and then virtually forget it.
- Made in a strong, material with superior resistance to corrosion, guaranteeing a long and useful life.



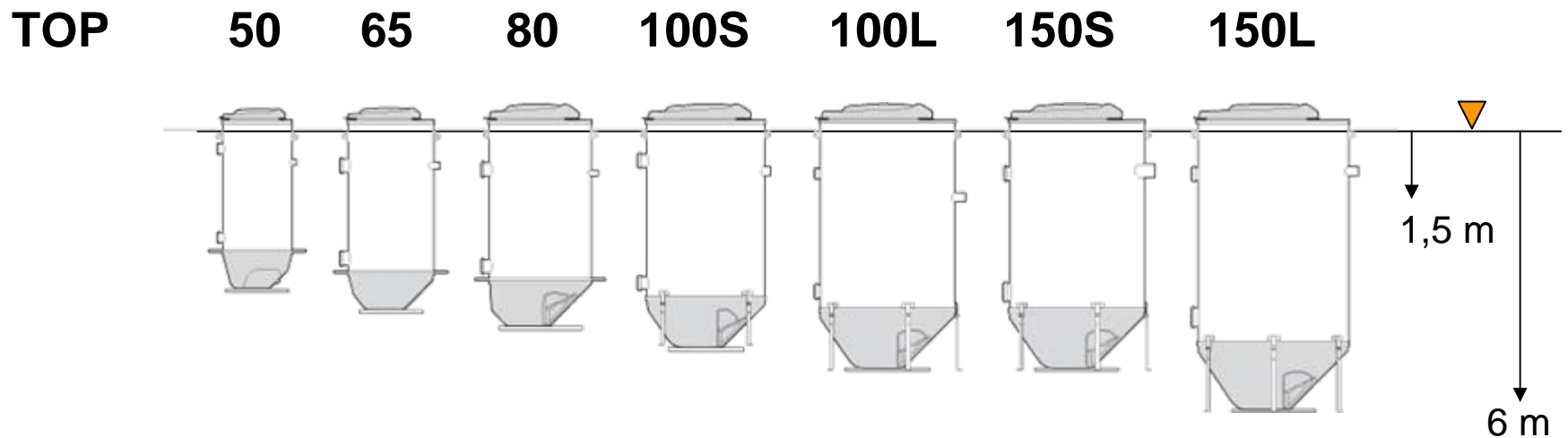
# TOP - Arguments

- Shorter projection time and delivery time
- Safe & reliable function
- Sustained high efficient operation
- Improved working environment



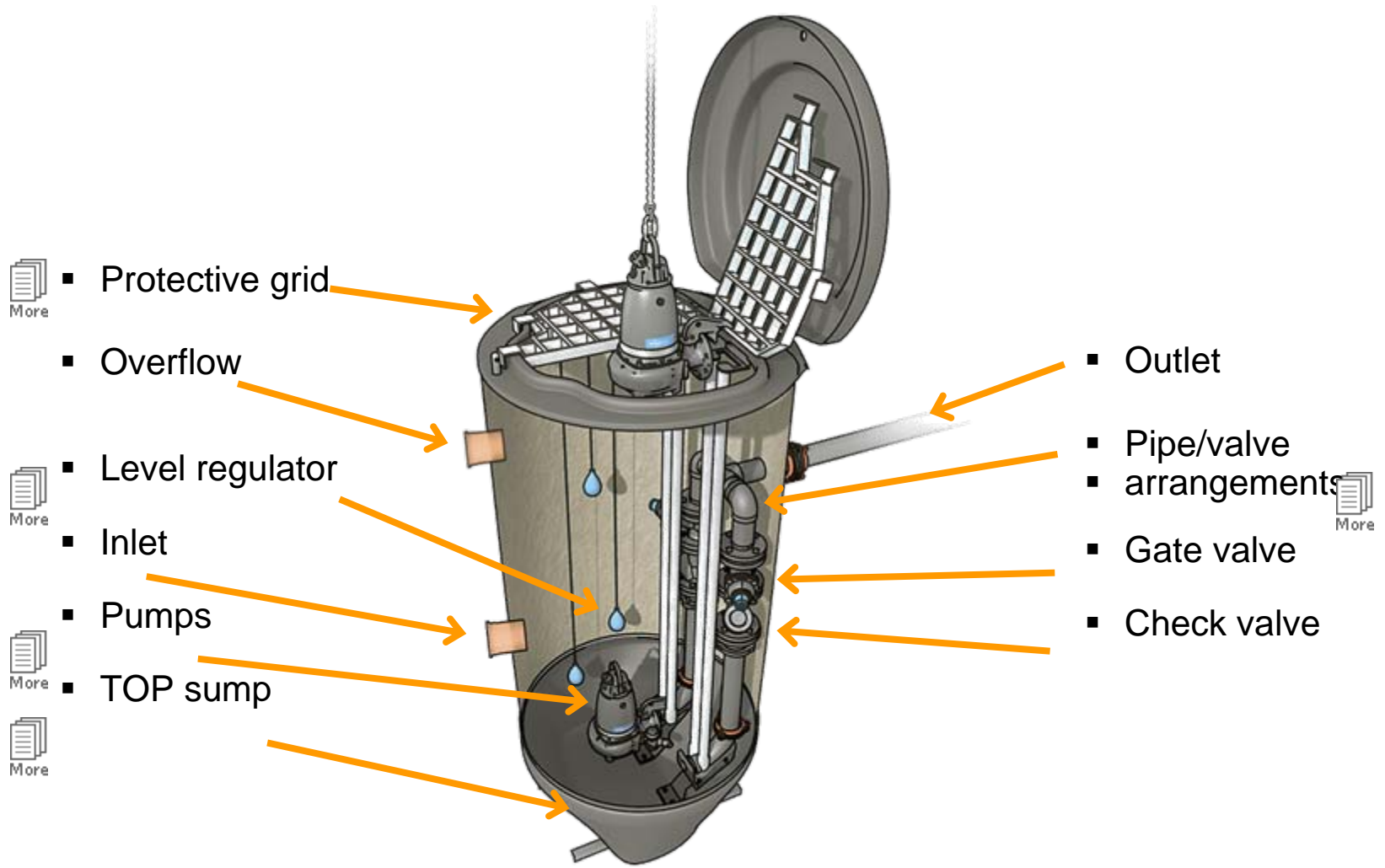
# TOP – Range\*

\* please note that for logistic reasons the availability varies per market



Diam. (mm)	800	1000	1200	1400	1600	1600	1800
Pumps (no of)	1	2	2	2	2	2	2
Approx. Capacity (l/s)	10	15	30	35	40	85	95

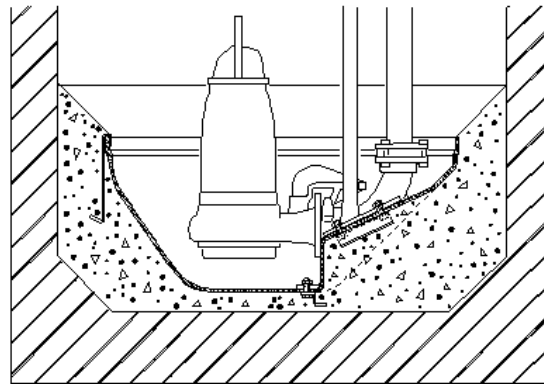
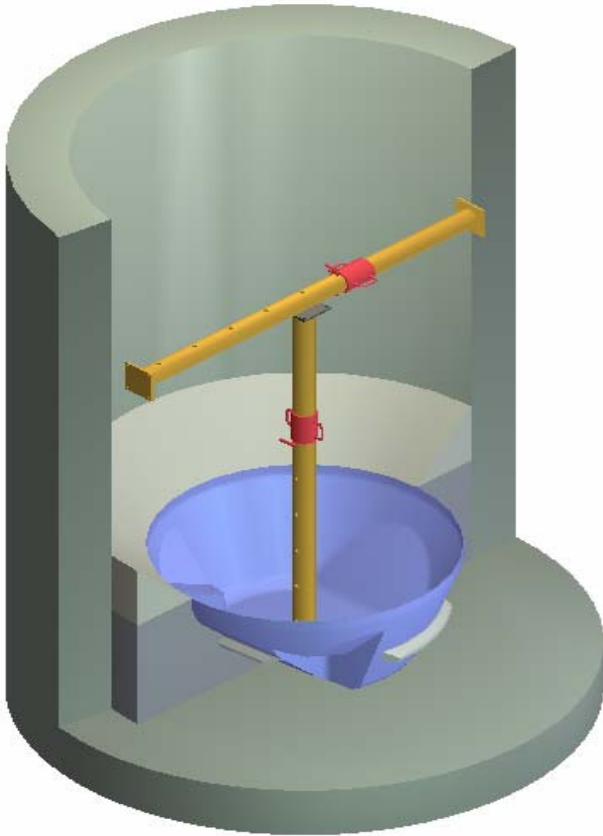
# TOP - Design





# TOP – Retrofit

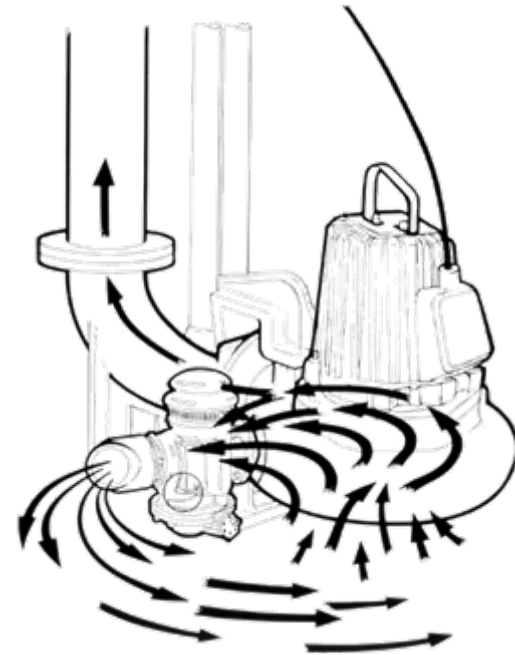
- For upgrading of old pump stations!



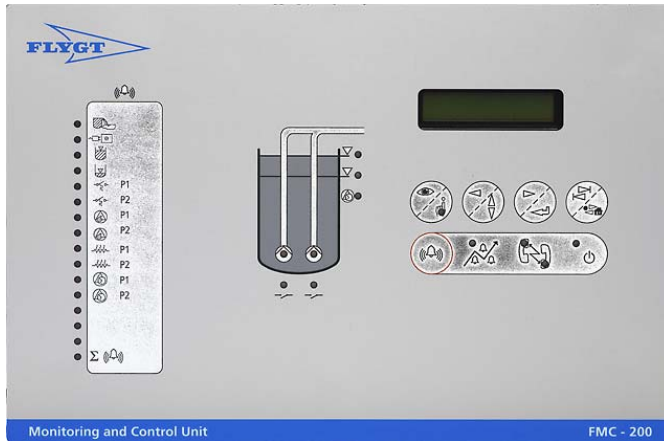
# TOP – Accessories



**Flush-valves**



## Monitoring & control



# TOP – Summary

- An integrated, self-cleaning design
- Minimal sedimentation and residual water
- Tested and verified performance
- Turnkey pump stations for new sites
- Simple retrofits for existing stations
- Easy installation



# TOP - The Optimal Pump station



END



