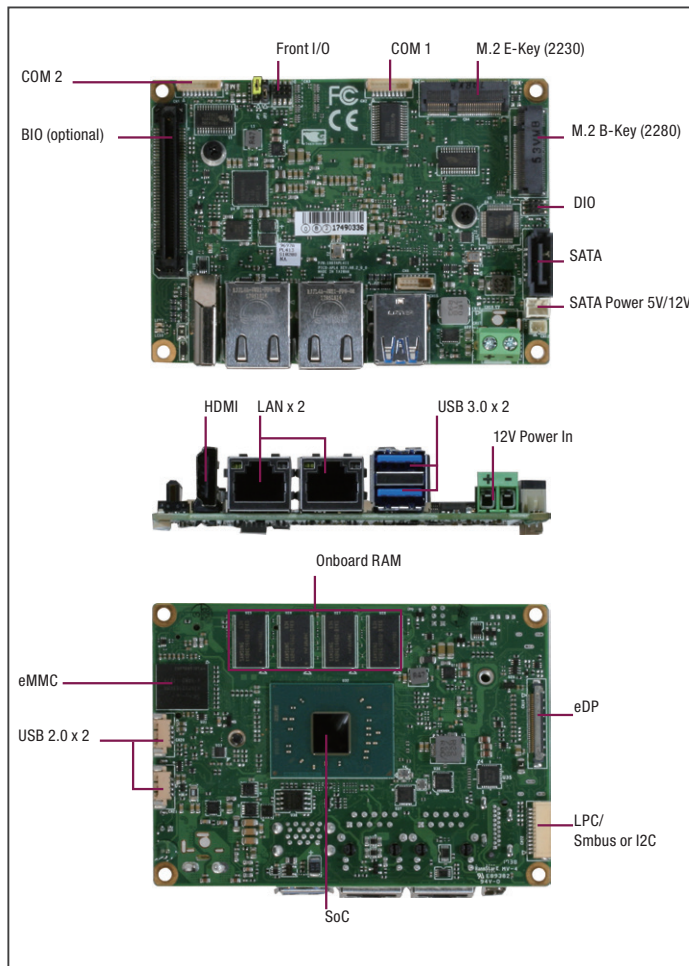


Pico-ITX Board with Intel® Atom™/ Pentium® N4200/ Celeron® N3350 Processor SoC



Features

- Intel® Atom™/ Pentium® N4200/ Celeron® N3350 Processor SoC
- Onboard DDR3L 2GB (Optional to 4GB)
- Onboard Storage eMMC 16GB (Optional to 32GB/64GB)
- Dual Gigabit Ethernet Support
- HDMI 1.4b, eDP (Optional) for Display
- BIO Reserved (Optional)
- USB 3.0 x 2, USB 2.0 x 2, SATA 6.0Gb/s x 1
- M.2 B Key (2280) x 1, M.2 E Key (2230) x 1



I/O	
Storage/SSD	SATA 6.0Gb/s x 1, 5V/12V Power reserved M.2 2280 (B Key) x 1 eMMC 16G (optional to 32/64G)
Ethernet	Realtek 8111G x 2
USB Port	USB 3.0 x 2 Rear IO USB 2.0 x 2 (Internal, co-use with FAN connector)
Serial Port	COM1: RS-232 x 1 COM2: RS-232/422/485 x 1
Audio	—
DIO	4-bit
Expansion Slot	M.2 2230 x 1 (E-Key) BIO x 1 (optional) I2C, Smbus MIPI-CSI x 4 Lanes (Optional)
SIM	—
TPM	—
Touch	—

Specifications

System	
Form Factor	Pico-ITX
CPU	Intel® Atom™ Processor SoC
CPU Frequency	Up to 2.4GHz
Chipset	Intel® Atom™ Processor SoC
Memory Type	Onboard DDR3L 2G (Optional to 4G)
Max. Memory Capacity	Up to 4GB
BIOS	AMI/SPI
Wake On LAN	Yes
Watchdog Timer	255 Levels
Power Requirement	+12V, AT/ATX
Power Supply Type	Lockable & Phoenix Terminal co-lay
Power Consumption (Typical)	—
System Cooling	Heat-spreader, heatsink & cooler (Optional)
Dimension	3.94" x 2.84" (100mm x 72mm)
Gross Weight	—
Operating Temperature	32°F ~ 140°F (0°C ~ 60°C)
Storage Temperature	-40°F ~ 176°F (-40°C ~ 80°C)
Operating Humidity	0% ~ 90% relative humidity, non-condensing
MTBF (Hours)	—
Certification	CE, FCC
Display	
Chipset	Intel® Atom™ Processor SoC
Resolution	HDMI 1.4b: 3840 x 2160@30Hz Internal eDP: 4096 x 2160@60Hz (Optional) DDI (Optional from BIO)
LCD Interface	eDP

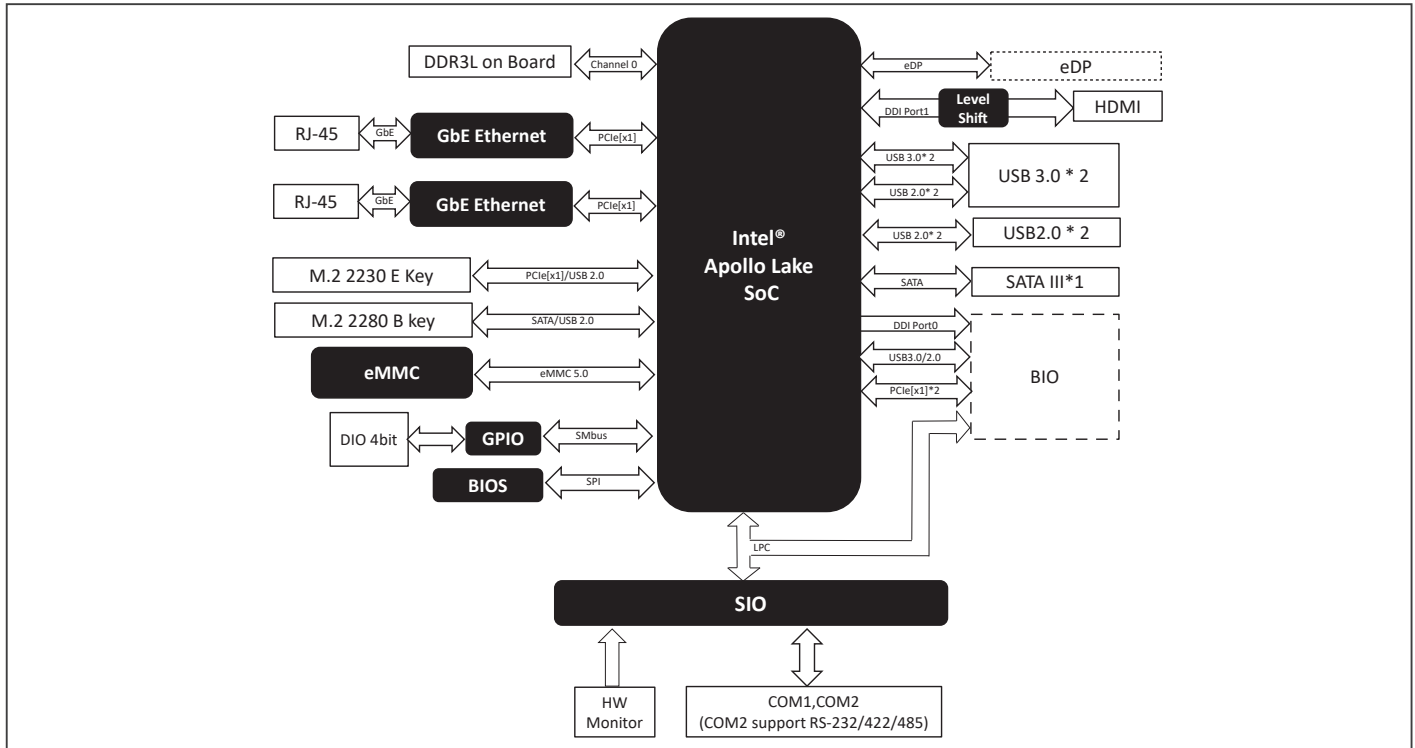
Packing List

- Product DVD
- PICO-APL4

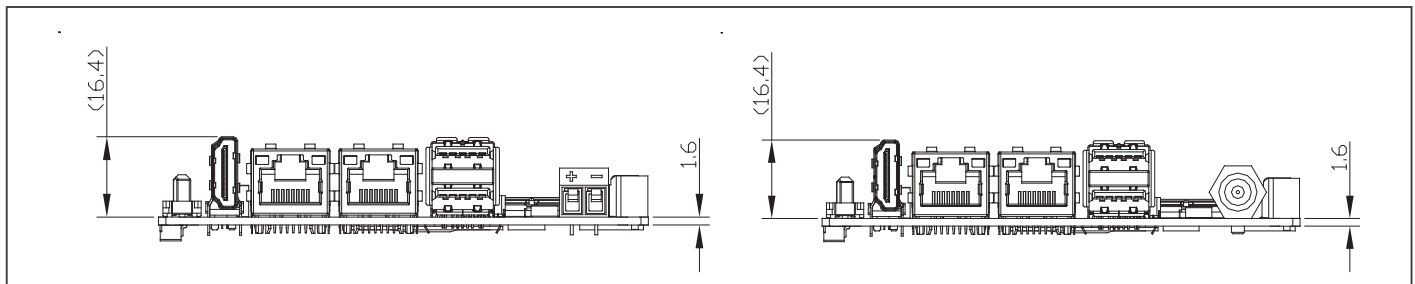
Optional Accessories

Part Number	Description	Qty
1709070500	(TF) SATA Cable, 50cm	1
1702150121	(TF) SATA Power Cable, 12cm	1
PICO-APL3-HKS01	Heatsink	1
PICO-APL3-HSP01	Heat Spreader	1
1700040151	(TF) USB Cable, 15cm	2
1701090154	(TF) COM Cable, 15cm	2
170430030W	(TF) eDP Cable, 30cm (For panel Innolux N116HSE-EBC, N116HSE-EA1)	1

Block Diagram



Dimension Unit: mm



Ordering Information

Part Number	CPU	Memory	Thermal	Display	Storage	LAN	USB	RS-232	RS-232/422/485	Expansion Slot	Power	Temp.	Others
PICO-APL4-A10-0001	Celeron® N3350 (Dual Core)	Onboard DDR3L 2GB	W/o Heatspreader	HDMI x 1 eDP x 1 (Optional)	SATA 6.0Gb/s x 1 M.2 2280 (B Key) x 1 eMMC 32GB	GbE x 2	USB 3.0 x 2 (Rear) USB 2.0 x 2 (Internal)	1	1	M.2 2230 (E Key) x 1	+12V (Phoenix Terminal)	0°C ~ 60°C	DIO 4 bit BIO (Optional)
PICO-APL4-A10-0002	Celeron® N3350 (Dual Core)	Onboard DDR3L 4GB	W/o Heatspreader	HDMI x 1 eDP x 1 (Optional)	SATA 6.0Gb/s x 1 M.2 2280 (B Key) x 1 eMMC 32GB	GbE x 2	USB 3.0 x 2 (Rear) USB 2.0 x 2 (Internal)	1	1	M.2 2230 (E Key) x 1	+12V (Phoenix Terminal)	0°C ~ 60°C	DIO 4 bit BIO (Optional)
PICO-APL4-A10-0003	Celeron® N4200 (Quad Core)	Onboard DDR3L 4GB	W/o Heatspreader	HDMI x 1 eDP x 1 (Optional)	SATA 6.0Gb/s x 1 M.2 2280 (B Key) x 1 eMMC 32GB	GbE x 2	USB 3.0 x 2 (Rear) USB 2.0 x 2 (Internal)	1	1	M.2 2230 (E Key) x 1	+12V (Phoenix Terminal)	0°C ~ 60°C	DIO 4 bit BIO (Optional)

Remark: Heatspreader and cooler is recommended as the thermal solution.