

ECS-9700/9600 GTX950

Quad Core Intel® Xeon®/ Core™ i7 Processor (Skylake-H) Embedded System with Intel® CM236 & NVIDIA GeForce® GTX 950, NVIDIA Pascal™ architecture, 6 GigE LAN with 4 PoE+, 4 SIM, 4 COM, 6 USB 3.0, 32 Isolated DIO, High Performance, Independent Graphics, EN50155, EN50121-3-2



- Quad Core Intel® Xeon®/ Core™ i7 Processor with CM236, up to 6 independent 4K displays
- 2 DDR4 2133MHz, up to 32GB (ECC/ Non-ECC)
- 6 independent GigE LAN with 4 IEEE 802.3at PoE+
- 4 SIM Card Socket for 3G/ 4G/ LTE/ WiFi/ GPRS/ UMTS
- 10V to 36V DC-in with 80V Surge Protection
- Configurable Ignition Power Control
- NVIDIA GeForce® GTX 950 Graphics supports NVIDIA Pascal™ GPU architecture
- 1 VGA, 1 DVI-I, 1 DVI-D, 1 HDMI & 5 DisplayPort, up to 7 independent displays
- 2 Front-access 2.5" SSD Tray, 6 USB 3.0, 4 COM
- 32 Isolated DIO, 4 Mini PCIe/ mSATA
- Optional supports full function SUMIT A, B



Machine Vision

Embedded Workstation

Vehicle Computing

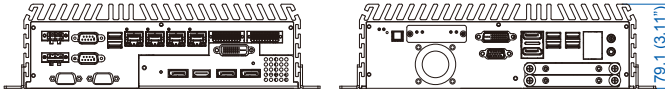
Medical

Deep Learning

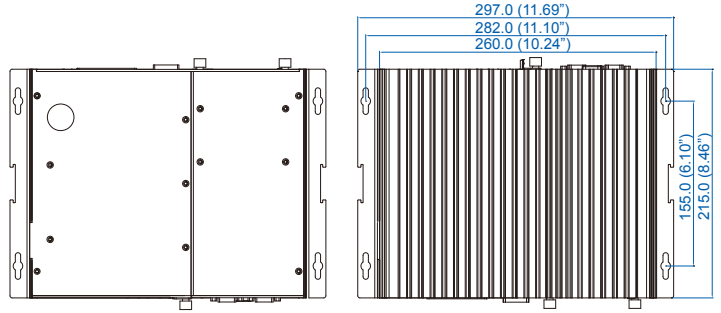


Dimensions & Drawing Unit: mm (inch)

ECS-9700 GTX950



ECS-9600 GTX950



Specifications

System	
Processor	Intel® Xeon® E3-1505M v5/ Core™ i7-6820EQ Processor (Skylake-H)
Chipset	Intel® CM236
BIOS	AMI
SIO	IT8786E
Memory	2 DDR4 2133MHz SO-DIMM, up to 32GB (ECC/ Non-ECC)
I/O Interface	
Serial	4 COM RS-232/ 422/ 485 (ESD 8KV)
USB	<ul style="list-style-type: none"> 6 USB 3.0 (External) 1 USB 2.0 (Internal)
Isolated DIO	32 Isolated DIO : 16 DI, 16 DO
LED	Power, HDD, PoE, Wireless
SIM Card	4 SIM Card Socket (3 External, 1 Internal)
Expansion	
Mini PCIe	4 Mini PCIe Socket : <ul style="list-style-type: none"> 3 Full-size for PCIe/ USB/ External SIM Card/ mSATA 1 Full-size for PCIe/ Internal SIM Card/ mSATA
SUMIT A, B	2 SUMIT Slot (Optional)
Graphics	
Processor	<ul style="list-style-type: none"> Intel® HD Graphics P530/ 530 NVIDIA GeForce® GTX 950
Interface	9 Display interfaces : <ul style="list-style-type: none"> 1 DVI-D : Up to 1920 x 1200 @ 60 Hz 1 DVI-I : Up to 1920 x 1200 @ 60Hz 2 DisplayPort : Up to 4096 x 2304 @ 60Hz 3 DisplayPort : Up to 5120 x 3200 @ 60Hz 1 HDMI : Up to 5120 x 3200 @ 60Hz 1 VGA : Up to 1920 x 1200 @ 60Hz
Storage	
SATA	4 SATA III support S/W RAID 0, 1, 5, 10 : <ul style="list-style-type: none"> 3 SATA III (6Gbps) 1 SATA III co-lay with Mini PCIe (6Gbps)
mSATA	4 mSATA connections : <ul style="list-style-type: none"> 3 SATA III (Mini PCIe Type, 6Gbps) 1 SATA III co-lay with SATA (Mini PCIe Type, 6Gbps)
Storage Device	1 CFast Socket, Push-in/ Push-out Ejector 2 Front-access 2.5" SSD/ HDD Tray
Audio	
Audio Codec	Realtek ALC892, 5.1 Channel HD Audio
Audio Interface	1 Mic-in, 1 Line-out

Ethernet	
LAN 1	Intel® I219LM GigE LAN supports iAMT 11.0
LAN 2	Intel® I210 GigE LAN
PoE (ECS-9700)	
LAN 3	GigE IEEE 802.3at (25.5W/48V) PoE* by Intel® I210
LAN 4	GigE IEEE 802.3at (25.5W/48V) PoE* by Intel® I210
LAN 5	GigE IEEE 802.3at (25.5W/48V) PoE* by Intel® I210
LAN 6	GigE IEEE 802.3at (25.5W/48V) PoE* by Intel® I210
Power	
Power Input	10V to 36V, DC-in
Power Interface	3-pin Terminal Block : V+, V-, Frame Ground
Ignition Control	16 Mode (Internal)
Remote Switch	3-pin Terminal Block
Surge Protection	Up to 80V/1ms Transient Power
Others	
TPM	Optional Infineon SLB9665 supports TPM 2.0, LPC Interface
Watchdog Timer	Reset : 1 to 255 sec./min. per step
Smart Management	Wake on LAN, PXE supported
HW Monitor	Monitoring temperature, voltages. Auto throttling control when CPU overheats.
Software Support	
OS	Windows 10, Windows 8.1, Windows 7, Linux
Mechanical	
Dimensions (WxLxH)	260mm x 215mm x 79mm (10.2" x 8.5" x 3.1")
Weight	4.5 kg (9.92 lb)
Mounting	<ul style="list-style-type: none"> Wallmount by mounting bracket 2U Rackmount (Optional)
Environment	
Operating Temp.	-40°C to 60°C (-40°F to 140°F)
Storage Temp.	-40°C to 85°C (-40°F to 185°F)
Humidity	5% to 95% humidity, non-condensing
Relative Humidity	95% at 60°C
Shock	<ul style="list-style-type: none"> IEC 60068-2-27 SSD : 50G @ wallmount, Half-sine, 11ms IEC 60068-2-64 SSD : 5Grms, 5Hz to 500Hz, 3 Axis
Vibration	
EMC	CE, FCC, EN50155, EN50121-3-2

Order Information

ECS-9700-505M-GTX950	• ECS-9700, Quad Core Intel® Xeon® E3-1505M v5, NVIDIA GeForce® GTX 950, 6 GigE LAN w/4 PoE+, 2 SSD Tray, 6 USB 3.0, 4 COM, 4 SIM, 32 Isolated DIO (ECC supported)
ECS-9700-820Q-GTX950	• ECS-9700, Quad Core Intel® Core™ i7-6820EQ, NVIDIA GeForce® GTX 950, 6 GigE LAN w/4 PoE+, 2 SSD Tray, 6 USB 3.0, 4 COM, 4 SIM, 32 Isolated DIO
ECS-9600-505M-GTX950	• ECS-9600, Quad Core Intel® Xeon® E3-1505M v5, NVIDIA GeForce® GTX 950, 2 GigE LAN, 2 SSD Tray, 6 USB 3.0, 4 COM, 4 SIM, 16 Isolated DIO (ECC supported)
ECS-9600-820Q-GTX950	• ECS-9600, Quad Core Intel® Core™ i7-6820EQ, NVIDIA GeForce® GTX 950, 2 GigE LAN, 2 SSD Tray, 6 USB 3.0, 4 COM, 4 SIM, 16 Isolated DIO
DDR4 16G	• Certified DDR4 16GB 2133MHz RAM
DDR4 8G	• Certified DDR4 8GB 2133MHz RAM
DDR4 4G	• Certified DDR4 4GB 2133MHz RAM
PWA-280W-WT	• 280W, 24V, 85V AC to 264V AC Power Adapter with 3-pin Terminal Block, Wide Temperature -30°C to +70°C
PWA-160W-WT	• 160W, 24V, 85V AC to 264V AC Power Adapter with 3-pin Terminal Block, Wide Temperature -30°C to +70°C
VESA Mount	• VESA Mounting Kit
DIN-RAIL	• DIN Rail Kit
Rack Mount	• 2U Rackmount Kit
TMK2-20P-100	• Terminal Block 20-pin to Terminal Block 20-pin Cable, 100cm
TMK2-20P-500	• Terminal Block 20-pin to Terminal Block 20-pin Cable, 500cm
TMB-TMBK-20P	• Terminal Board with One 20-pin Terminal Block Connector and DIN-Rail Mounting
3G Module	• Mini PCIe 3G/GPS Module with Antenna
4G Module	• Mini PCIe 4G/GPS Module with Antenna
WiFi & Bluetooth Module	• Intel® Mini PCIe WiFi & Bluetooth Module with Antenna

ECS-9700/9600 GTX950-20161122

* All product information may subject to change without prior notice.

* The rights of all brand names, product names and trademarks belong to their respective owners.

Copyright © 2016 Vecow Co., Ltd. All rights reserved.