

Datasheet

mSATA 3ME2 series

- SATA 6Gb/s interface
- Intelligent error recovery system
- Excellent data transfer speed
- Zero mechanical interference
- Anti-vibration mechanical design
- JEDEC standard MO-300 dimension



Introduction

Innodisk mSATA 3ME2 is designed with mSATA form factor by MO-300/MO-300B which established by JEDEC, and support SATA III standard (6.0Gb/s) with excellent performance. Regarding of mechanical interference, Innodisk mSATA 3ME2 absolutely replaces the traditional hard disk and makes personal computer, in any field, smaller and easier.

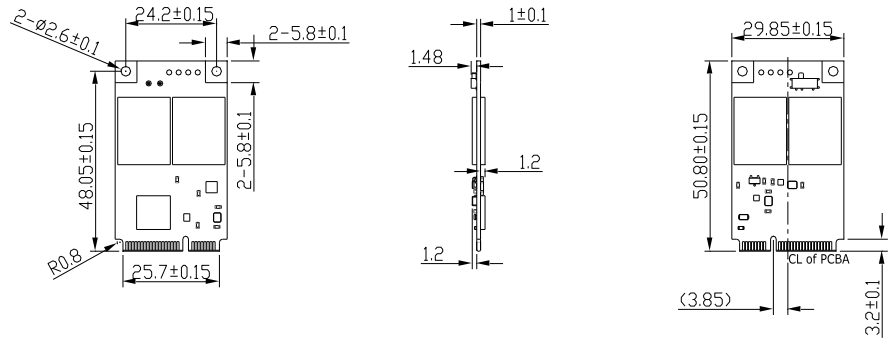
Innodisk mSATA 3ME2 effectively reduces the booting time of operation system and the power consumption is less than hard disk drive (HDD), and complies with ATA protocol, no additional drives are required, and can be configured as a boot device or data storage device.

mSATA 3ME2 series

Contact us for more information about the mSATA 3ME2.

Innodisk is a service-driven provider of industrial embedded flash storage products and technologies, with a focus on the cloud computing, industrial/embedded, and aerospace and defense industries.

Diagram



TOLERANCE:±0.20 mm
UNIT:mm

Headquarters (Taiwan)

5F., No. 237, Sec. 1, Datong Rd.,
Xizhi Dist., New Taipei City 221,
Taiwan (R.O.C.)
Tel: +886-2-77033000
Email: sales@Innodisk.com

Branch Offices:

USA
usasales@Innodisk.com
+1-510-770-9421
Europe
eusales@Innodisk.com
+81-3-6667-0161
Japan
jpsales@Innodisk.com
+81-45-594-7581
China
sales_cn@Innodisk.com
+86-755-21673689
www.Innodisk.com

© 2016 Innodisk Corporation.
All right reserved. Specifications
are subject to change without
prior notice.

20160128

Specifications

Interface	SATA III
Flash Type	MLC
Capacity	16GB~512GB
Max. Channels	4
Sequential R/W (MB/sec, max.)	510 / 280
Max. Power Consumption	2.2 W (3.3V x 685 mA)
Thermal Sensor	ST- Optional
External DRAM buffer	-
H/W Write Protect	-
ATA Security	√
S.M.A.R.T.	√
Dimension (WxLxH)	29.8 X 50.8 X 3.4 mm
Environment	Vibration: 20G @7~2000Hz Shock: 1500G @ 0.5ms Storage Temperature: -55°C ~ +95°C MTBF: 3 million hours

Ordering Information

Operation Temp.	16GB	32GB	64GB	128GB	256GB	512GB
Standard Grade (0°C ~ +70°C)	DEMSR-16GD72SCASN	DEMSR-32GD72SCADN	DEMSR-64GD72SCAQN	DEMSR-A28D72SCAQN	DEMSR-B56D72SCAQN	DEMSR-C12D72SCAQN
Industrial Grade (-40°C ~ +85°C)	DEMSR-16GD72SWASN	DEMSR-32GD72SWADN	DEMSR-64GD72SWAQN	DEMSR-A28D72SWAQN	DEMSR-B56D72SWAQN	DEMSR-C12D72SWAQN

innodisk

www.Innodisk.com