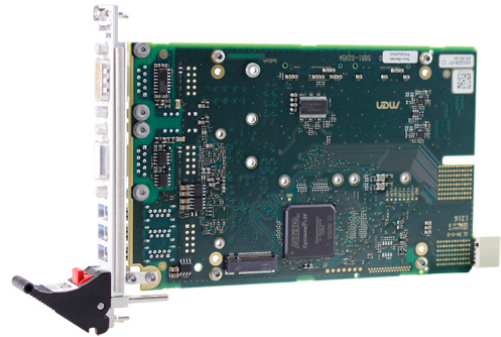


G229

3U CompactPCI Serial I/O Expansion Board

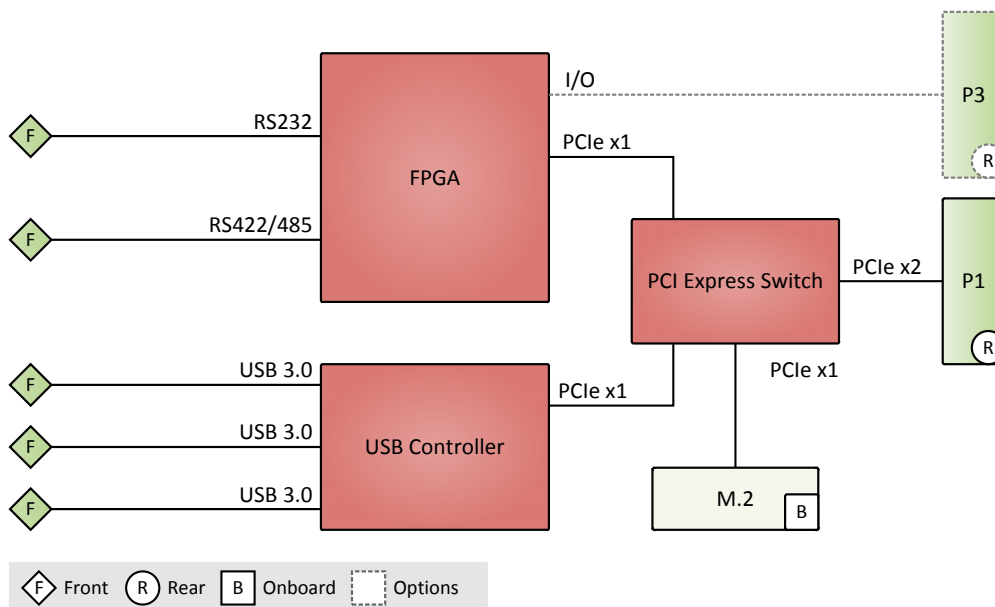
- » Three USB 3.0 interfaces
- » One RS232 interface
- » One RS422/485 interface
- » One M.2 SSD slot
- » -40 to +70°C screened
- » Compliant with EN 50155 (railways)
- » PICMG CPCI-S.0 CompactPCI Serial peripheral card



The MEN G229 is an I/O expansion board for CompactPCI Serial for adding often required functions to a CPU board on a single slot. It can be used, e.g., as a main boot device for a server CPU - the raid controller of the CPU is still available for data.

The board is designed and tested for the railway and industrial market, but may be used for other industrial applications, too. It provides 3 USB 3.0 ports and isolated RS232 and RS422/485 interfaces, for either service or continuous operation in a railway or industrial environment.

For data storage or as a boot medium a m.2 slot supporting NVMe is provided on the board. It provides a fast boot time as it is connected via a PCI Express x1 link. The G229 is a low-power solution for the extended temperature range.



Front Interfaces

- USB
 - Three Series A connectors, USB 3.0
- RS232
 - D-Sub connector at front panel
 - Handshake lines: RTS, CTS
- RS422/485
 - D-Sub connector at front panel
 - Full duplex

Mass Storage

- m.2 disk

Backplane Standard

- Compliance with CompactPCI Serial PICMG CPCI-S.0 Specification
- Peripheral slot
- Host interface:
 - One PCI Express x2 link, PCIe 2.x

Electrical Specifications

- Supply voltage
 - +12 V (-5%/+5%)
- Power consumption
 - 4.91 A max.
 - 2.79 A typ.

Mechanical Specifications

- Dimensions
 - 3U, 4 HP
- Weight
 - tbd. g (model 02G229-01)

Environmental Specifications

- Temperature range (operation)
 - -40°C to +70°C (screened)
 - Airflow: min. 1.5 m/s
- Temperature range (storage): -40°C to +85°C
- Cooling concept
 - Air-cooled
 - Conduction-cooled in MEN CCA frame
- Humidity: EN 60068-2-30, EN 50155
- Altitude: -300 m to +3000 m
- Shock: EN 50155
- Vibration: EN 50155
- Conformal coating

Reliability

- MTBF: tbd @ 40°C according to IEC/TR 62380 (RDF 2000)

Safety

- Electrical Safety
 - EN 62368-1 (former EN 60950-1)
 - EN 50153
- Flammability
 - UL 94V-0

EMC

- EMC Radiated Emission: EN 55022, EN 50121-3-2 class B
- EMC Conducted Emission: EN 55022, EN 50121-3-2 class B
- EMC Immunity: EN 55024, EN 50121-3-2

Software Support

- Windows
- Linux
- For more information on supported operating system versions and drivers see Software.

Germany

MEN Mikro Elektronik GmbH

Neuwieder Straße 3-7
90411 Nuremberg
Phone +49-911-99 33 5-0

sales@men.de
www.men.de

USA

MEN Micro Inc.

860 Penllyn Blue Bell Pike
Blue Bell, PA 19422
Phone 215-542-9575

sales@menmicro.com
www.menmicro.com

France

MEN Mikro Elektronik SAS

18, rue René Cassin
ZA de la Châtelaine
74240 Gaillard
Phone +33-450-955-312

sales@men-france.fr
www.men-france.fr

China

MEN Mikro Elektronik (Shanghai) Co., Ltd.

Room 808-809, Jiaxing Mansion, No. 877 Dongfang Road
200122 Shanghai
Phone +86-21-5058-0961

sales@men-china.cn
www.men-china.cn

Up-to-date information, documentation and ordering information:
www.men.de/products/g229/

The date of issue stated in this data sheet refers to the Technical Data only. Changes in ordering information given herein do not affect the date of issue. All brand or product names are trademarks or registered trademarks of their respective holders.

MEN is not responsible for the results of any actions taken on the basis of information in the publication, nor for any error in or omission from the publication.

MEN expressly disclaims all and any liability and responsibility to any person, whether a reader of the publication or not, in respect of anything, and of the consequences of anything, done or omitted to be done by any such person in reliance, whether wholly or partially, on the whole or any part of the contents of the publication.

The correct function of MEN products in mission-critical and life-critical applications is limited to the environmental specification given for each product in the technical user manual. The correct function of MEN products under extended environmental conditions is limited to the individual requirement specification and subsequent validation documents for each product for the applicable use case and has to be agreed upon in writing by MEN and the customer. Should the customer purchase or use MEN products for any unintended or unauthorized application, the customer shall indemnify and hold MEN and its officers, employees, subsidiaries, affiliates, and distributors harmless against all claims, costs, damages, and expenses, and reasonable attorney fees arising out of, directly or indirectly, any claim or personal injury or death associated with such unintended or unauthorized use, even if such claim alleges that MEN was negligent regarding the design or manufacture of the part.

In no case is MEN liable for the correct function of the technical installation where MEN products are a part of.

© 2016 MEN