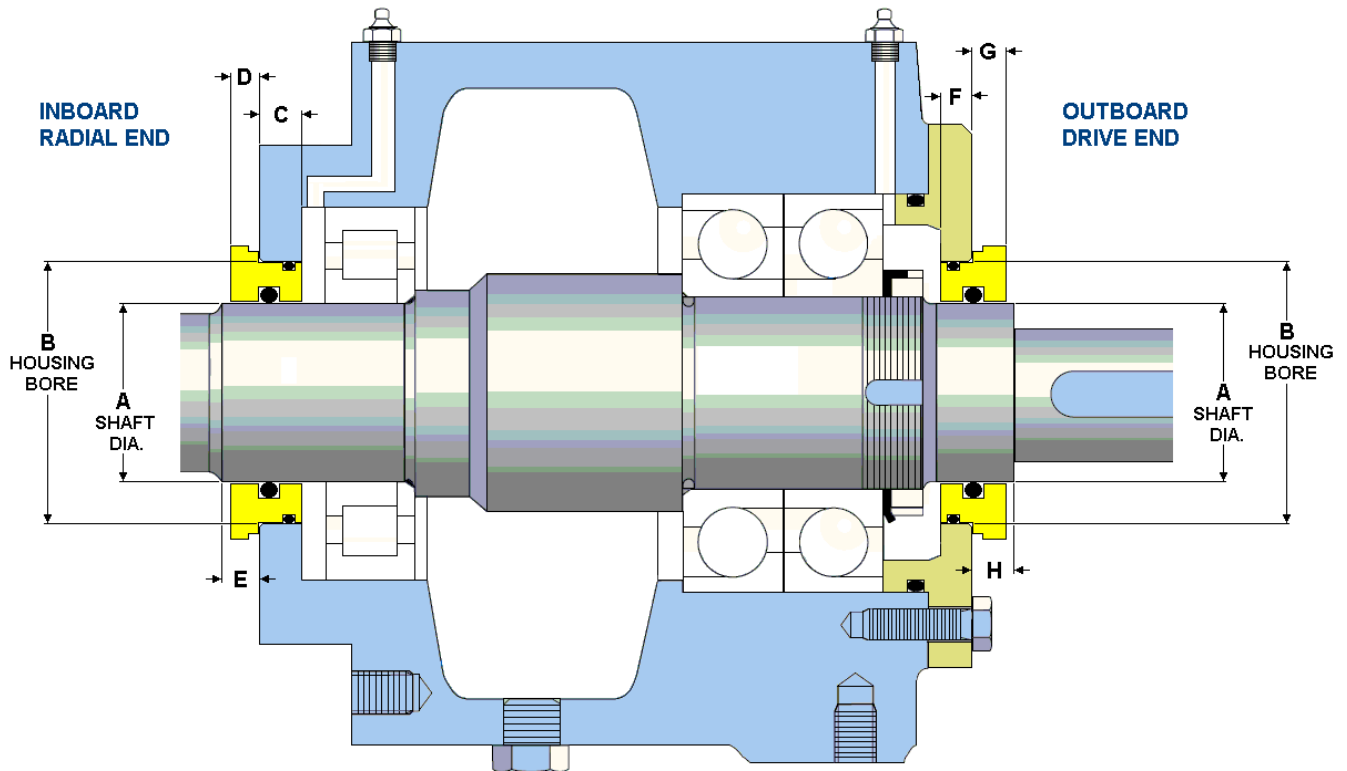




AHLSTROM AHLSTAR PUMPS

DURABLE BY DESIGN
IDEAL BEARING PROTECTION



SULZER AHLSTROM AHLSTAR PUMPS APT, EPT, NPT, WPT			A	B	C	D	E	F	G	H
		SEAL ASSEMBLY	SHAFT DIA.	HOUSING BORE	SEAL ENTRY	SEAL EXT	SHAFT STEP	SEAL ENTRY	SEAL EXT	SHAFT STEP
FRAME #1	INBOARD	1378MP2165 V6 .429 ENTRY	1.378	2.165	0.429	0.256	0.256			
FRAME #1	OUTBOARD	1378MP2165 V7	1.378	2.165				0.375	0.375	0.315
FRAME #2	INBOARD	1772MP2559 V6 .429 ENTRY	1.772	2.559	0.429	0.256	0.256			
FRAME #2	OUTBOARD	1772MP2559 V7	1.772	2.559				0.375	0.375	0.335
FRAME #3	INBOARD	2165MP3150 V6 .450 ENTRY	2.165	3.150	0.450	0.260	0.276			
FRAME #3	OUTBOARD	2165MP3150 V7	2.165	3.150				0.375	0.400	0.394
FRAME #4	INBOARD	2559MP3543 V6 .434 ENTRY	2.559	3.543	0.434	0.276	0.315			
FRAME #4	OUTBOARD	2559MP3543 V7	2.559	3.543				0.375	0.400	0.394
FRAME #5	INBOARD	3346MP4330 V6 .550 ENTRY	3.346	4.330	0.550	0.315	0.315			
FRAME #5	OUTBOARD	3346MP4330 V7 .433 ENTRY	3.346	4.330				0.433	0.517	0.433
FRAME #6	INBOARD	3937MP5118 V6 .550 ENTRY	3.937	5.118	0.550	0.315	0.315			
FRAME #6	OUTBOARD	3937MP5118 V7 .517 ENTRY	3.937	5.118				0.517	0.433	0.433