

Bring it on Tackling manual cutting from A-Z



- Powerful
- Big capacity
- Easy to use

Manual quality cutting taken to a new level

Labotom-15 is a manual cut-off machine for 350 mm dia. cut-off wheels which enables quality cutting of all kinds of workpieces, including large and odd-size items. Powerful, strong and easy to use, Labotom-15 gives you a cost-effective and convenient way to increase your manual cutting capacity.



Big cutting capacity – when and where you need it

Labotom-15 is a heavyweight when it comes to manual cutting. With a powerful motor and proven design, Labotom-15 handles almost all your manual cutting tasks – quickly and efficiently.

A spacious cutting chamber and very large cutting table facilitates the cutting of workpieces of all sizes and shapes. You can even cut workpieces that exceed the width of the cutting chamber. Convenient fixation holes provide flexible customized clamping.

Fast, simple and safe

With its straightforward control panel, the ergonomic handle as well as safety lock and emergency stop, the Labotom-15 is not only extremely user-friendly - it also provides optimal protection of its users.

Exceptional access

The Labotom-15 cover is hinged on the back and opens wide for easy access enabling you to position and maneuver large workpieces with ease. The very large cutting table has 10 mm T-slots for flexible clamping.

Strong, sturdy and reliable

Whether you are cutting large or small workpieces, simple or odd-size ones, all day, every day or just once in a while, Labotom-15's robust and straightforward design ensures easy and reliable operation. The base of the machine is made of no-rust aluminum to ensure maximum durability and long lifetime.

Just walk up and use

- Only three buttons – Start, Stop and Flushing.
- Ergonomic handle for a firm but comfortable and controlled grip.
- Flexible LED light to see what you are doing.
- Quick clean-up using the handy flushing gun.
- Efficient cooling for good cutting quality
- Safety lock and an emergency stop for optimal user safety.



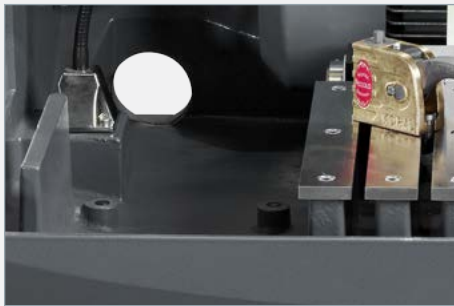
Powerful, sturdy



Flexible LED light

Large cutting chamber

Smooth closing of cover



Fixation holes for customized clamping

Effective cooling



Flushing gun for easy cleaning

No rust aluminum base



Safety extension box*



and easy-to-use

350 mm / 14" dia.
cut-off wheel

Ergonomic
cutting handle



Wheels for easier placement



Safety lock

Large cutting table



Emergency stop

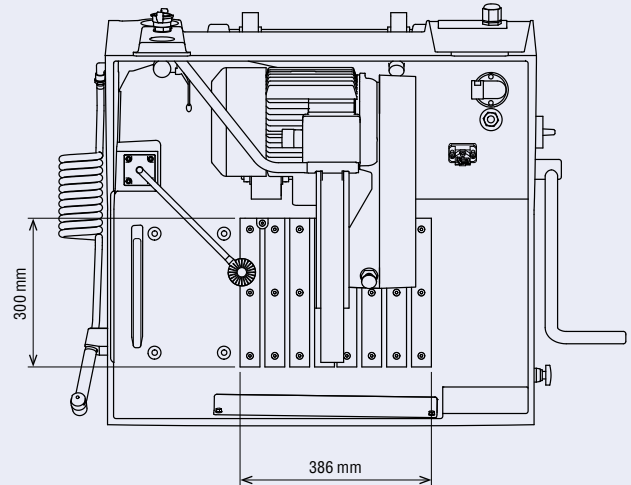
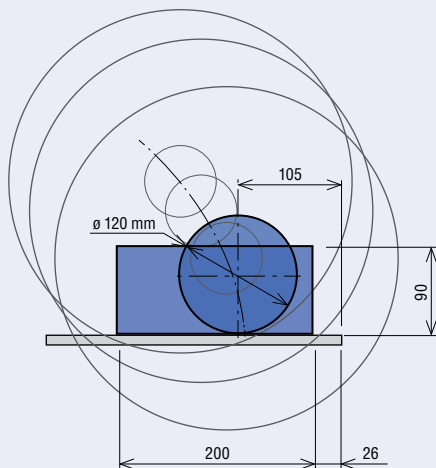
Table unit*



Easy-to-use control panel

*Optional

CUTTING SPECIFICATIONS - Labotom-15



TECHNICAL DATA

Cut-off wheel

Size	350 mm / 14" dia. (300 mm / 12" dia.)
Arbor size	32 mm / 1.26" dia.
Rotational speed (running idle)	2350 rpm
Cutting capacity *	120 mm dia. / 4.7" dia. or 90 x 200 mm / 3.5" x 8"

Cutting table

Width	300 mm / 11.8"
Length	386 mm / 15.2"
T-slots	10 mm

Cutting motor

Voltages	Nominal load S1	Intermittent S3 (15 %)	Fuse
3 x 200 V / 50 Hz	5.2 kW / 7.0 HP	7.5 kW / 10 HP	50 A
3 x 200 - 210 V / 60 Hz	6.3 kW / 8.3 HP	8.5 kW / 11.4 HP	50 A
3 x 220 - 230 V / 50 Hz	5.2 kW / 7.0 HP	7.5 kW / 10 HP	50 A
3 x 220 - 240 V / 60 Hz	6.3 kW / 8.3 HP	8.5 kW / 11.4 HP	50 A
3 x 380 - 415 V / 50 Hz	5.2 kW / 7.0 HP	7.5 kW / 10 HP	40 A
3 x 460 - 480 V / 60 Hz	6.3 kW / 8.3 HP	8.5 kW / 11.4 HP	40 A

Dimensions

Width	870 mm / 34.3"
Width with handle	1086 mm / 42.8"
Depth	877 mm / 34.5"
Height	660 mm / 26"
Height, open cover	1045 mm / 41.1"
Weight	180 kg / 397 lbs

Noise level 70 dBA, at idle running, at a distance 1.0 m / 39.4"

Surrounding temperature 5 - 40 °C / 41-104 °F

Humidity 0 - 95 % RH, non condensing

Safety Please refer to the Declaration of Conformity

SPECIFICATIONS

Manual cut-off machine. Motor power 5.2 / 6.3 kW (7.0 / 8.3 HP). For 350 mm (14") dia. cut-off wheels. 10 mm T-slots cutting table.

Recirculation cooling unit (057667xx), quick-clamping device (05876909), vertical quick clamping device (05876933), spring clamp (05136903) and vertical clamping system (05116905), respectively, are ordered separately.

Optional table unit (06266101) can be used.

Cat. no:	Voltage
06056129	3 x 200 V / 50 Hz
06056130	3 x 200-210 V / 60 Hz
06056135	3 x 220-230 V / 50 Hz
06056136	3 x 220-240 V / 60 Hz
06056146	3 x 380-415 V / 50 Hz
06056154	3 x 460-480 V / 60 Hz

* The actual cutting capacity depends on the specific workpiece dimensions, cut-off wheel and clamping technique.



ACCESSORIES AND CONSUMABLES

Cat.no

Quick Clamping Device

For securing the workpiece. To be mounted on the left side of the cut-off wheel. Complete with backstop. Max clamping width: 50 mm.

05876909



Vertical Clamping Device

For clamping irregularly shaped workpieces on the cutting table. Clamping height is adjustable up to 58 mm. Complete with operating key and one flat clamping shoe. Used for 10 mm T-slot.

05116905

Swivel shoes for Vertical Clamping Device

Set of 4 multi-shaped swivel shoes for Vertical Clamping Device (05046904, 05116905 or 05036915).

05116911



Arm Extension

For extending arm of Vertical Clamping Device (05036915, 05046904 and 05116905)

05046906

Riser block for 10 mm T-slots

For elevating vertical clamping system (05116905) when clamping high workpieces. To increase the clamping height by 60 mm

05116910



Vertical Quick Clamping Device

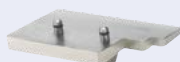
For securing the workpiece. To be mounted on the left side of the cut-off wheel. Max clamping width: 50 mm

05876925

High Vertical Quick Clamping Device

For securing the workpiece. To be mounted on the left side of the cut-off wheel. Max clamping width: 85 mm

05876933



Single Prism for Vertical Quick Clamping Device

Jaw block for optimum clamping of cylindrical and oval workpieces. For use with Vertical Quick Clamping Device for 10 mm T-slots (05876925).

05876926



Spring Clamp

For retaining the workpiece. Complete with backstop. To be mounted on Discotom-60/-65, Discotom-6, Labotom-5 and Labotom-15 at the right side of the cut-off wheel. For 10 mm T-slots.

05136903

Low Quick Clamping Device

With 42 mm high clamping plate and backstop for right-hand side of the cut-off wheel on Labotom-15. For retaining the cut-off part of the workpiece. For 10 mm T-slots.

05876932



Safety Extension Box

For extending the cutting chamber when cutting long workpieces. To be mounted on the left-hand side of Labotom-15. For workpieces with a maximum size of: 120 mm / 4.7" dia. or 200 x 90 mm / 8" x 3.5". Dimensions: 512 x 320 x 320 mm / 20.1 x 12.6 x 12.6"

06056903

Additional Cooling Unit

Cooling unit with one water jet for flexible cooling of the workpieces.

06056902



Cooling System 4

With 100 l tank, large pump, Cooli-1, filter bag and adapter plate, consists of: 05766905, 057660xx, 05761116, 05766928, 05766927

Voltage

1 x 100 V / 50 Hz

05766716

1 x 100-120 V / 60 Hz

05766723

1 x 220-240 V / 50Hz

05766722

1 x 220-240 V / 60 Hz

05766724



Table unit

For Discotom and Labotom cut-off machines. With compartment for recirculation cooling unit, drawer for tools and shelves for cut-off wheels. Width: 930 mm, depth: 950 mm, height: 800 mm.

06266101

Struers' equipment is in conformity with the provisions of the applicable International Directives and their appurtenant Standards. (Please contact your local supplier for details)

Struers' products are subject to constant product development. Therefore, we reserve the right to introduce changes in our products without notice.

Struers ApS
 Pederstrupvej 84
 DK-2750 Ballerup, Denmark
 Phone +45 44 600 800
 Fax +45 44 600 801
 struers@struers.dk
 www.struers.com



AUSTRALIA & NEW ZEALAND

Struers Australia
 27 Mayneview Street
 Milton QLD 4064
 Australia
 Phone +61 7 3512 9600
 Fax +61 7 3369 8200
 info.au@struers.dk

BELGIQUE (Wallonie)

Struers S.A.S.
 370, rue du Marché Rollay
 F- 94507 Champigny
 sur Marne Cedex
 Téléphone +33 1 5509 1430
 Télécopie +33 1 5509 1449
 struers@struers.fr

BELGIUM (Flanders)

Struers GmbH Nederland
 Elektraweg 5
 3144 CB Maassluis
 Telefon +31 (10) 599 7209
 Fax +31 (10) 5997201
 netherlands@struers.de

CANADA

Struers Ltd.
 7275 West Credit Avenue
 Mississauga, Ontario L5N 5M9
 Phone +1 905-814-8855
 Fax +1 905-814-1440
 info@struers.com

CHINA

Struers Ltd.
 No. 1696 Zhang Heng Road
 Zhang Jiang Hi-Tech Park
 Shanghai 201203, P.R. China
 Phone +86 (21) 6035 3900
 Fax +86 (21) 6035 3999
 struers@struers.cn

CZECH REPUBLIC & SLOVAKIA

Struers GmbH Organizační složka
 vědeckotechnický park
 Přilepská 1920,
 CZ-252 63 Roztoky u Prahy
 Phone +420 233 312 625
 Fax +420 233 312 640
 czechrepublic@struers.de
 slovakia@struers.de

DEUTSCHLAND

Struers GmbH
 Carl-Friedrich-Benz-Straße 5
 D-47877 Willich
 Telefon +49 (0) 2154 486-0
 Fax +49 (0) 2154 486-222
 verkauf@struers.de

FRANCE

Struers S.A.S.
 370, rue du Marché Rollay
 F-94507 Champigny
 sur Marne Cedex
 Téléphone +33 1 5509 1430
 Télécopie +33 1 5509 1449
 struers@struers.fr

HUNGARY

Struers GmbH
 Magyarországi Fióktelep
 Tatai ut 53
 2821 Gyermely
 Phone +36 (34) 880546
 Fax +36 (34) 880547
 hungary@struers.de

IRELAND

Struers Ltd.
 Unit 11 Evolution@ AMP
 Whittle Way, Catcliffe
 Rotherham S60 5BL
 Tel. +44 0845 604 6664
 Fax +44 0845 604 6651
 info@struers.co.uk

ITALY

Struers Italia
 Via Monte Grappa 80/4
 20020 Arese (MI)
 Tel. +39-02/38236281
 Fax +39-02/38236274
 struers.it@struers.it

JAPAN

Marumoto Struers K.K.
 Takara 3rd Building
 18-6, Higashi Ueno 1-chome
 Taito-ku, Tokyo 110-0015
 Phone +81 3 5688 2914
 Fax +81 3 5688 2927
 struers@struers.co.jp

NETHERLANDS

Struers GmbH Nederland
 Zomerdijk 34 A
 3143 CT Maassluis
 Telefoon +31 (10) 599 7209
 Fax +31 (10) 5997201
 netherlands@struers.de

NORWAY

Struers ApS, Norge
 Sjøskogenveien 44C
 1407 Vinterbro
 Telefon +47 970 94 285
 info@struers.no

ÖSTERREICH

Struers GmbH
 Zweigniederlassung Österreich
 Betriebsgebiet Puch Nord 8
 5412 Puch
 Telefon +43 6245 70567
 Fax +43 6245 70567-78
 austria@struers.de

POLAND

Struers Sp. z o.o.
 Oddział w Polsce
 ul. Jasnogórska 44
 31-358 Kraków
 Phone +48 12 661 20 60
 Fax +48 12 626 01 46
 poland@struers.de

ROMANIA

Struers GmbH
 Sucursala Sibiu
 Str.Scoala de Inot, nr. 18
 RO-550005 Sibiu
 Phone +40 269 244 558
 Fax +40 269 244 559
 romania@struers.de

SCHWEIZ

Struers GmbH
 Zweigniederlassung Schweiz
 Weissenbrunnstraße 41
 CH-8903 Birmensdorf
 Telefon +41 44 777 63 07
 Fax +41 44 777 63 09
 switzerland@struers.de

SINGAPORE

Struers Singapore
 627A Aljunied Road,
 #07-08 BizTech Centre
 Singapore 389842
 Phone +65 6299 2268
 Fax +65 6299 2661
 struers.sg@struers.dk

SPAIN

Struers España
 Camino Cerro de los Gamos 1
 Building 1 - Pozuelo de Alarcón
 CP 28224 Madrid
 Teléfono +34 917 901 204
 Fax +34 917 901 112
 struers.es@struers.es

SUOMI

Struers ApS, Suomi
 Hietalahdenranta 13
 00180 Helsinki
 Puhelin +358 (0)207 919 430
 Faksi +358 (0)207 919 431
 finland@struers.fi

SWEDEN

Struers Sverige
 Ekbacksvägen 22
 168 69 Bromma
 Telefon +46 (0)8 447 53 90
 Telefax +46 (0)8 447 53 99
 info@struers.se

UNITED KINGDOM

Struers Ltd.
 Unit 11 Evolution @ AMP
 Whittle Way, Catcliffe
 Rotherham S60 5BL
 Tel. +44 0845 604 6664
 Fax +44 0845 604 6651
 info@struers.co.uk

USA

Struers Inc.
 24766 Detroit Road
 Westlake, OH 44145-1598
 Phone +1 440 871 0071
 Fax +1 440 871 8188
 info@struers.com

Ensuring Certainty

With offices and affiliates in 24 countries and a presence in more than 50 countries worldwide, Struers is the world's leading materialographic solution supplier. We are dedicated to enabling our customers to ensure certainty in all aspects of materialographic preparation and testing as well as material hardness testing - wherever they are in the world. Struers offers a complete range of equipment, consumables, service and training programmes – all supported by the most comprehensive knowledge base, global applications support and a certified global service set-up.

Learn more

Contact a Struers sales representative today or visit www.struers.com/labotom-15