



Labotom-5 is a high-quality table-top manual cut-off machine for 250 mm / 10" dia. cut-off wheels. It is especially designed to be used both in labs and production areas.

With its simple control panel, the ergonomic handle as well as safe lock and emergency stop, the Labotom-5 is not only extremely user-friendly - it also provides optimal protection of its users.

The large cutting table offers extra room to position your workpiece and after working on the Labotom-5, the efficient flushing of the chamber makes cleaning up fast and simple.

**Extremely user-friendly**

**Simple control panel with three buttons; Start, Stop and Flushing cleaning water**

**Safety lock and emergency stop**

**Big cutting table**

**Ergonomic cutting handle**

**Cleaning gun with strong water flow**

**Big slope in the cutting chamber**

**A powerful LED lamp lights up the cutting area**

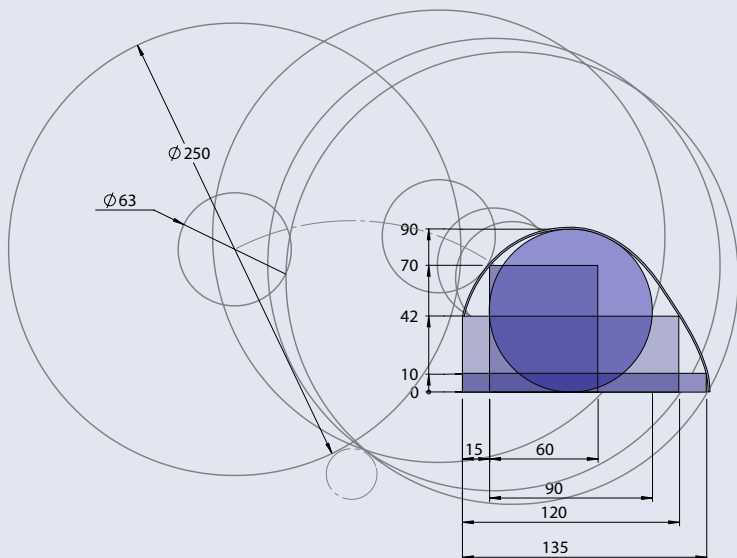
## Safety lock and emergency stop

Labotom-5 is equipped with both a safety lock and an emergency stop for optimal protection of the users. The motor is braked electrically which ensures that it is stopped before the door safety lock is released.



## Cleaning gun with strong water flow

For easy maintenance Labotom-5 is equipped with a cleaning gun. The cleaning gun is easily accessible as it is placed directly in the cutting chamber.



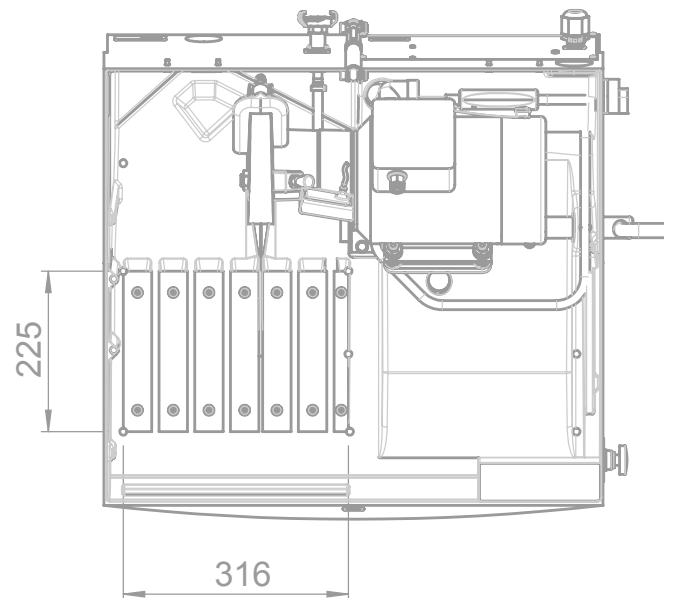
## Cutting capacity

The projected cutting capacity for a new cut-off wheel is up to 90 mm / 3.5" dia. or 120 x 42 mm / 4.7" x 1.7". Please refer to the illustration.

To cut workpieces exceeding the width of the cutting chamber in the left side, a plate in the cover may be removed and replaced by a Safety Extension Box.

## Ergonomic cutting handle

The handle is ergonomically designed, enabling the operator to cut even very hard and difficult materials. A powerful LED lamp lights up the cutting area so the cutting process easily can be followed.



## Big cutting table

Labotom-5 has a big (316 mm / 12.4" wide and 225 mm / 8.9" dept) cutting table for easy clamping of the workpiece. The cutting table has five 10 mm T-slots; three on the left hand side and two on the right hand side. The big cutting table ensures that almost all shapes of workpieces can be clamped and cut safely.

## Big slope in the cutting chamber

The sloping base of the cutting chamber prevents cooling water from accumulating in the chamber. A prism knob is placed in the drainage hole so that cut-off specimens will not enter the drain.

## Accessories and consumables

Cat. no.:



### Quick Clamping Device

For securing the workpiece. To be mounted on the left side of the cut-off wheel.  
Complete with backstop. Max clamping width: 50 mm.

05876909



### Vertical Clamping Device

For clamping irregularly shaped workpieces on the cutting table. Clamping height is adjustable up to 58 mm. Complete with operating key and one flat clamping shoe. Used for 10 mm T-slot.

05116905

### Swivel shoes for Vertical Clamping Device

Set of 4 multi-shaped swivel shoes for Vertical Clamping Device (05046904, 05116905 or 05036915).

05116911

### Arm Extension

For extending arm of Vertical Clamping Device (05036915, 05046904 and 05116905)

05046906



### Vertical Quick Clamping Device

For securing the workpiece. To be mounted on the left side of the cut-off wheel.  
Max clamping width: 50 mm

05876925



### Single Prism for Vertical Quick Clamping Device

Jaw block for optimum clamping of cylindrical and oval workpieces.  
For use with Vertical Quick Clamping Device for 10 mm T-slots (05876925).

05876926



### Spring Clamp

For retaining the workpiece. Complete with backstop. To be mounted on Discotom-60/-65, Discotom-6 and Labotom-5 at the right side of the cut-off wheel. For 10 mm T-slots.

05136903



### Fixed Stand

Stand for specimen holders with dovetail clamp. 40 mm manual positioning. For 10 mm T-slot.

05876927



### Specimen Holder CATFF 04946904

Teardrop type with opening.  
For workpieces 15-40 mm dia.



### Specimen Holder CATTY

With 7 screws for irregular workpieces.  
Max 40 mm width.

04946905



### Specimen Holder CATSI 04946903

For general use.  
Max opening: 60 mm.



### Specimen Holder CATRE

For cylindrical workpieces.  
Max opening 40 mm dia.

04946907



### Safety Extension Box

For extending the cutting chamber when cutting long workpieces.

To be mounted on the left side of Labotom-5.

For workpieces with a maximum size of

H x W: 90 mm / 3.5" dia. or 120 x 42 mm / 4.7" x 1.7"

Dimensions, W x D x H: 652 x 120 x 95 mm / 6.5" x 4.7" x 3.7"

06046903

For more information regarding clamping tools and cut-off wheels please see special brochures.

## Technical data

### Cut-off wheel

Size	250 mm / 10" dia.
Arbor size	32 mm / 1.26" dia.
Rotational speed (running idle)	2845 rpm (50 Hz) / 3450 rpm (60 Hz)
Cutting capacity *	90 mm dia. / 3.5" dia. or 42 x 120 mm or 1.7" x 4.7"

### Cutting table

Width	225 mm / 8.9"
Length	316 mm / 12.4"
T-slots	10 mm

### Cutting motor

Voltages	Nominal load S1	Intermittent S3 (15 %)	Fuse
3 x 200 V / 50 Hz	2.2 kW / 3.0 HP	3.2 kW / 4.3 HP	40 A
3 x 200 - 210 V / 60 Hz	2.6 kW / 3.5 HP	3.2 kW / 4.3 HP	30 A
3 x 220 - 230 V / 50 Hz	2.2 kW / 3.0 HP	3.2 kW / 4.3 HP	40 A
3 x 220 - 240 V / 60 Hz	2.6 kW / 3.5 HP	3.2 kW / 4.3 HP	30 A
3 x 380 - 415 V / 50 Hz	2.2 kW / 3.0 HP	3.2 kW / 4.3 HP	40 A
3 x 380 - 415 V / 60 Hz	2.6 kW / 3.5 HP	3.2 kW / 4.3 HP	30 A
3 x 460 - 480 V / 60 Hz	2.6 kW / 3.5 HP	3.2 kW / 4.3 HP	30 A

### Dimensions

Width	700 mm / 27.6"
Width with handle	860 mm / 33.9"
Depth	680 mm / 26.8"
Depth with plug	808 mm / 31.8"
Height, machine	440 mm / 17.3"
Height, handle	520 mm / 20.5"
Height, open cover	942 mm / 37.1"
Weight	75 kg / 165 lbs

**Noise level** 60 dBA, at idle running, at a distance 1.0 m / 39.4"

**Surrounding temperature** 5 - 40 °C / 41-104 °F

**Humidity** 0 - 95 % RH, non condensing

**Safety** Please refer to the Declaration of Conformity

\* The actual cutting capacity depends on the specific workpiece dimensions, cut-off wheel and clamping technique.

## Specifications

### Labotom-5

Manual cut-off machine. Motor power 2.2 / 2.6 kW (3.0 / 3.5 HP). For 250 mm (10") cut-off wheels. With cutting table with 10 mm T-slots. Recirculation cooling unit (05766xxx), quick clamping device (05876909/05876925), spring clamp (05136903) and vertical clamping system (05116905) respectively are ordered separately. Optional table unit (06266101) can be used.

Cat. no.:	Voltage
06046129	3 x 200 V / 50 Hz
06046130	3 x 200-210 V / 60 Hz
06046135	3 x 220-230 V / 50 Hz
06046136	3 x 220-240 V / 60 Hz
06046146	3 x 380-415 V / 50 Hz
06046147	3 x 380-415 V / 60 Hz
06046154	3 x 460-480 V / 60 Hz

Struers' products are subject to constant product development. Therefore, we reserve the right to introduce changes in our products without notice.

### Struers ApS

Pederstrupvej 84  
DK-2750 Ballerup, Denmark  
Phone +45 44 600 800  
Fax +45 44 600 801  
struers@struers.dk  
www.struers.com

### AUSTRALIA & NEW ZEALAND

**Struers Australia**  
27 Mayneview Street  
Milton QLD 4064  
Australia  
Phone +61 7 3512 9600  
Fax +61 7 3369 8200  
info.au@struers.dk

### BELGIQUE (Wallonie)

**Struers S.A.S.**  
370, rue du Marché Rollay  
F- 94507 Champigny  
sur Marne Cedex  
Téléphone +33 1 5509 1430  
Télécopie +33 1 5509 1449  
struers@struers.fr

### BELGIUM (Flanders)

**Struers GmbH Nederland**  
Zomerdijk 34 A  
3143 CT Maassluis  
Telefoon +31 (10) 599 7209  
Fax +31 (10) 5997201  
netherlands@struers.de

### CANADA

**Struers Ltd.**  
7275 West Credit Avenue  
Mississauga, Ontario L5N 5M9  
Phone +1 905-814-8855  
Fax +1 905-814-1440  
info@struers.com

### CHINA

**Struers Ltd.**  
No. 1696 Zhang Heng Road  
Zhang Jiang Hi-Tech Park  
Shanghai 201203, P.R. China  
Phone +86 (21) 6035 3900  
Fax +86 (21) 6035 3999  
struers@struers.cn

### CZECH REPUBLIC & SLOVAKIA

**Struers GmbH Organizační složka**  
vědeckotechnický park  
Přílepská 1920,  
CZ-252 63 Roztoky u Prahy  
Phone +420 233 312 625  
Fax +420 233 312 640  
czechrepublic@struers.de  
slovakia@struers.de

### DEUTSCHLAND

**Struers GmbH**  
Carl-Friedrich-Benz-Straße 5  
D-47877 Willich  
Telefon +49 (0) 2154 486-0  
Fax +49 (0) 2154 486-222  
verkauf@struers.de

### FRANCE

**Struers S.A.S.**  
370, rue du Marché Rollay  
F-94507 Champigny  
sur Marne Cedex  
Téléphone +33 1 5509 1430  
Télécopie +33 1 5509 1449  
struers@struers.fr

### HUNGARY

**Struers GmbH**  
Magyarország Fióktelep  
Tatai ut 53  
2821 Gyermely  
Phone +36 (34) 880546  
Fax +36 (34) 880547  
hungary@struers.de

### IRELAND

**Struers Ltd.**  
Unit 11 Evolution@ AMP  
Whittle Way, Catcliffe  
Rotherham S60 5BL  
Tel. +44 0845 604 6664  
Fax +44 0845 604 6651  
info@struers.co.uk

### ITALY

**Struers Italia**  
Via Monte Grappa 80/4  
20020 Arese (MI)  
Tel. +39-02/38236281  
Fax +39-02/38236274  
struers.it@struers.it

### JAPAN

**Marumoto Struers K.K.**  
Takara 3rd Building  
18-6, Higashi Ueno 1-chome  
Taiko-ku, Tokyo 110-0015  
Phone +81 3 5688 2914  
Fax +81 3 5688 2927  
struers@struers.co.jp

### NETHERLANDS

**Struers GmbH Nederland**  
Zomerdijk 34 A  
3143 CT Maassluis  
Telefoon +31 (10) 599 7209  
Fax +31 (10) 5997201  
netherlands@struers.de

### NORWAY

**Struers ApS, Norge**  
Sjaskogenveien 44C  
1407 Vinterbro  
Telefon +47 970 94 285  
info@struers.no

### ÖSTERREICH

**Struers GmbH**  
Zweigniederlassung Österreich  
Betriebsgebiet Puch Nord 8  
5412 Puch  
Telefon +43 6245 70567  
Fax +43 6245 70567-78  
austria@struers.de

### POLAND

**Struers Sp. z o.o.**  
Oddział w Polsce  
ul. Jasnogórska 44  
31-358 Kraków  
Phone +48 12 661 20 60  
Fax +48 12 626 01 46  
poland@struers.de

### ROMANIA

**Struers GmbH, Sucursala Bucuresti**  
Str. Preciziei nr. 6R  
062203 sector 6, Bucuresti  
Phone +40 (31) 101 9548  
Fax +40 (31) 101 9549  
romania@struers.de

### SCHWEIZ

**Struers GmbH**  
Zweigniederlassung Schweiz  
Weissenbrunnstraße 41  
CH-8903 Birmensdorf  
Telefon +41 44 777 63 07  
Fax +41 44 777 63 09  
switzerland@struers.de

### SINGAPORE

**Struers Singapore**  
627A Aljunied Road,  
#07-08 BizTech Centre  
Singapore 389842  
Phone +65 6299 2268  
Fax +65 6299 2661  
struers.sg@struers.dk

### SPAIN

**Struers España**  
Camino Cerro de los Gamos 1  
Building 1 - Pozuelo de Alarcón  
CP 28224 Madrid  
Teléfono +34 917 901 204  
Fax +34 917 901 112  
struers.es@struers.es

### SUOMI

**Struers ApS, Suomi**  
Hietalahdenranta 13  
00180 Helsinki  
Puhelin +358 (0)207 919 430  
Faksi +358 (0)207 919 431  
finland@struers.fi

### SWEDEN

**Struers Sverige**  
Box 20038  
161 02 Bromma  
Telefon +46 (0)8 447 53 90  
Telefax +46 (0)8 447 53 99  
info@struers.se

### UNITED KINGDOM

**Struers Ltd.**  
Unit 11 Evolution @ AMP  
Whittle Way, Catcliffe  
Rotherham S60 5BL  
Tel. +44 0845 604 6664  
Fax +44 0845 604 6651  
info@struers.co.uk

### USA

**Struers Inc.**  
24766 Detroit Road  
Westlake, OH 44145-1598  
Phone +1 440 871 0071  
Fax +1 440 871 8188  
info@struers.com