

classique

chester



pictured as credenza

chester

An elegant modern credenza offers a mix of subtle materials to compliment any décor. The body is made from Quarter Cut Oak Veneer with a polished smoky oak finish. Combining the metal drawers with the finely tapered legs which are powder coated generates a timeless classic design.

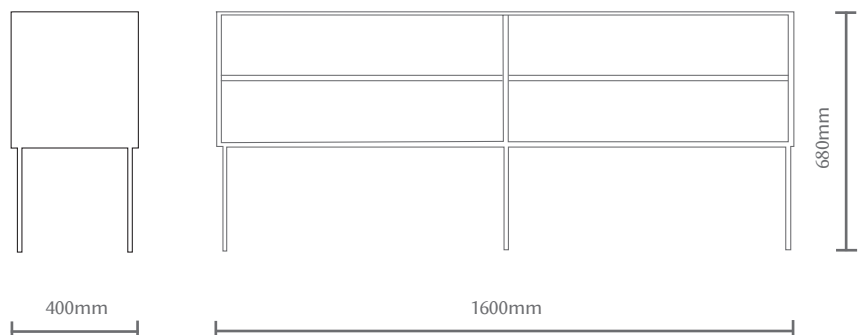
Your own dimensions can be accommodated with different finishes.

measurements

L 1600mm
D 400mm
H 680mm

dimensions

Wood for body: Quarter Cut Oak Veneer
Colour: Smoky Oak
Draw fronts: Wood MDF
Finish/Colour: Metalier bronze (Metal coated finish)



designed + made in new zealand