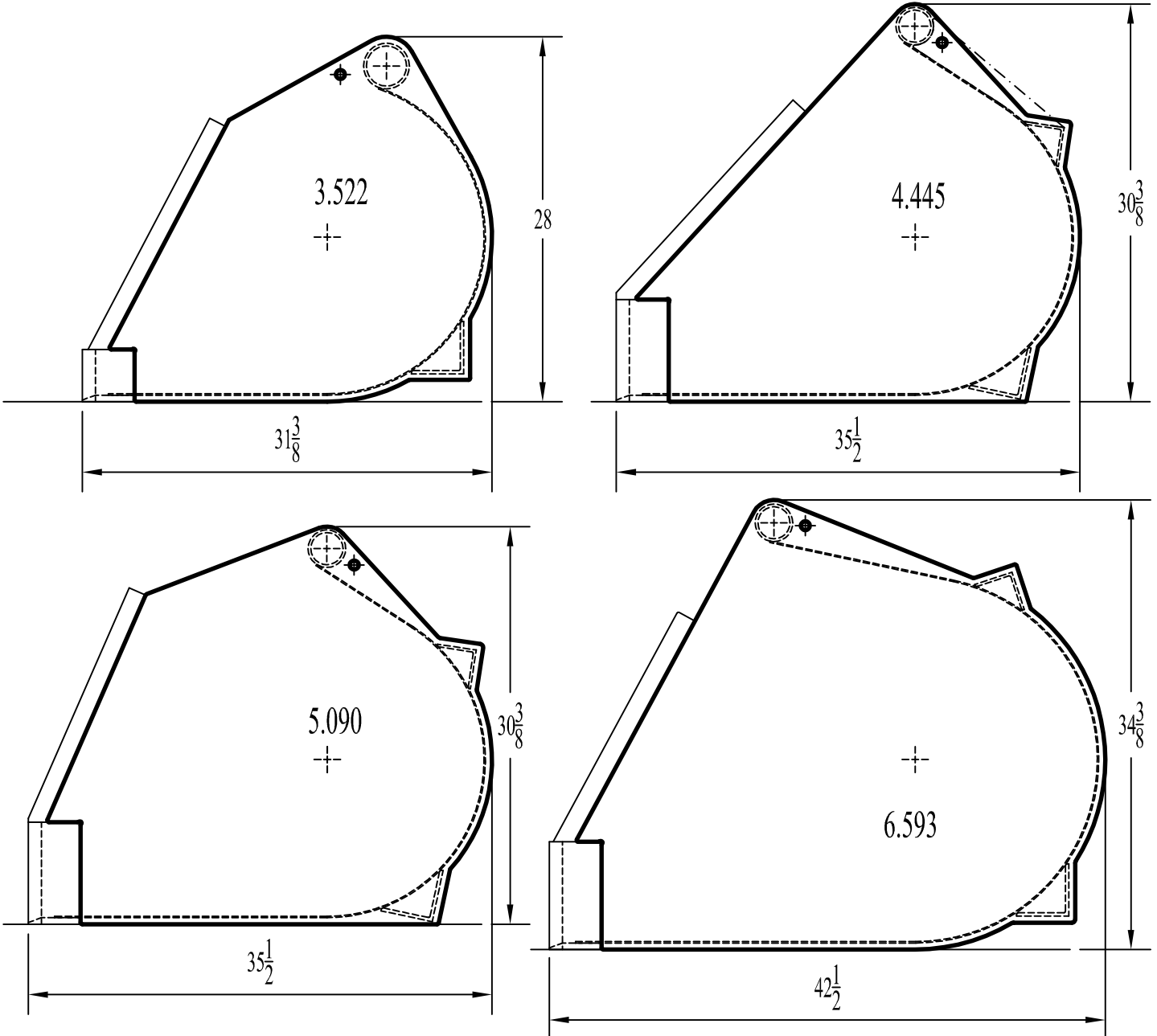


All Volumes Heaped Capacity at 72" wide

- 6.593 = 1.78 Cubic Yards
- 5.090 = 1.27 Cubic Yards
- 4.445 = 1.25 Cubic Yards
- 3.522 = 1.01 Cubic Yards
- 3.017 = 1.00 Cubic Yards

All Volumes Heaped Capacity at 72" wide

- 2.700 = 24.3 Cubic Feet
- 2.392 = 22.4 Cubic Feet
- 2.327 = 22.4 Cubic Feet
- 2.457 = 19.4 Cubic Feet
- 1.885 = 18.1 Cubic Feet
- 1.354 = 12.7 Cubic Feet



Bucket Widths from 40" to 100"

