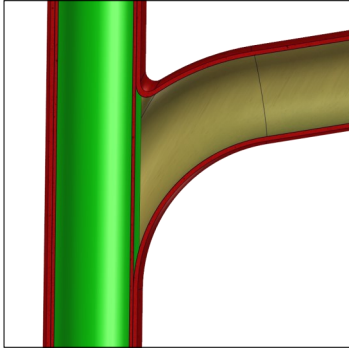


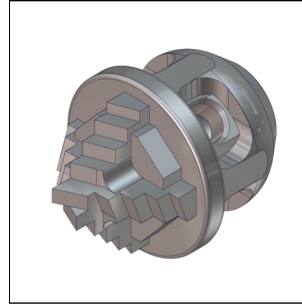
S
T
A
N
D
A
R
D



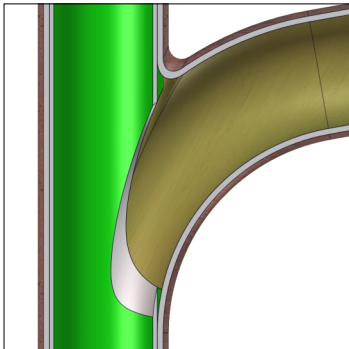
UNLINED



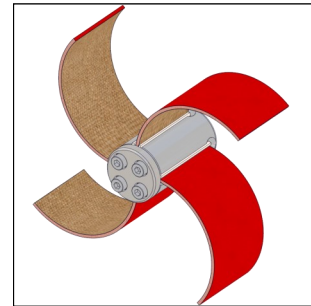
Twister Mini



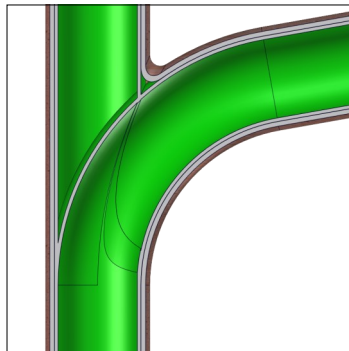
Special Drill Head PVC



OPENED



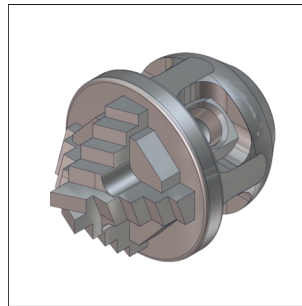
Smart Cutter



LINED

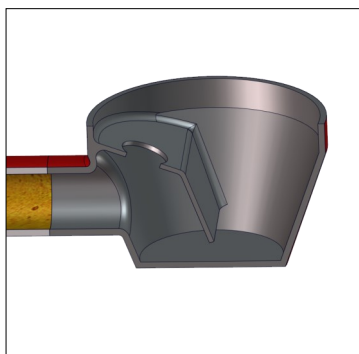


Twister Mini

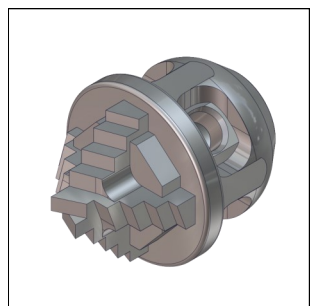


Special Drill Head PVC

S
P
E
C
I
A
L



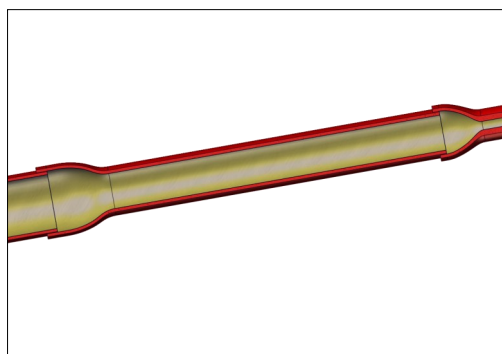
FLOOR DRAIN



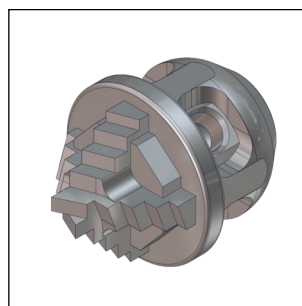
Special Drill Head



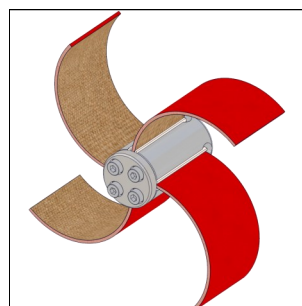
Smart Cutter



SIZE CHANGE



Special Drill Head



Smart Cutter

Micro Miller

Shaft Diameter: 8 mm (1/3")

Range: 12 m (39 ft)

Pipe Diameter Range: DN32 (1 1/4") to DN75 (3")

Mini Miller

Shaft Diameter: 8 mm (1/3")

Range: 17 metres (55 ft)

Pipe Diameter Range: DN32 (1 1/4") to DN75 (3")

Available Tools

Smart Cutter

Twister Mini

Special Drill Head PVC

Size Diameter

DN50 (2") to DN75 (3")

DN50 (2") & DN70 (3")

DN32 (1 1/4") to DN75 (3")