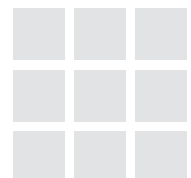


REFRIGERATION DOOR KH-1010(V)



Door leaf constructed of a core of 100mm insulation material, covered on both sides with polyester and finished all round with anodized aluminium profiles, thermal bridge-free. Equipped with an aluminium drop/lift rail system.

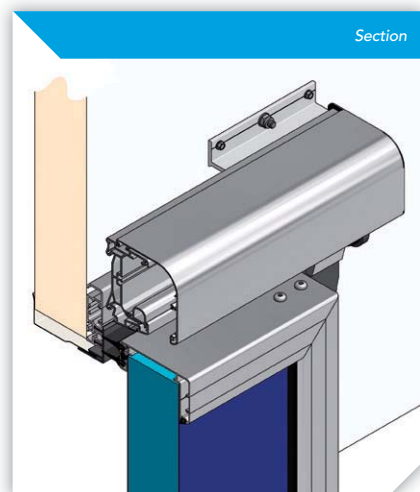
- Easy to operate. Due to the polyester which makes the doors light.
- Both horizontally and vertically available, and also in very large sizes. Manually or electrically operated.
- Double-door version available. If electrically operated, very high opening speeds are achievable.
- Slight damage to the polyester top can be easily touched-up.
- Deliverable in kit form excluding door leaf. Easy to transport and favourably priced.
- Deliverable in a 60 minute fire resistant version.
- Special stainless steel version possible.




REFRIGERATION DOOR KH-1010(V)



Technical specifications refrigeration door type KH-1010 (horizontal) and KH-1010V (vertical)

- Construction** : door leaf constructed of a core of insulation material, covered on both sides with 1,5mm impact-resistant glass-fibre reinforced foodsafe polyester.
- Thickness door leaf** : 100mm.
- R-value** : approx. 3,7 (m².K/W).
- Framing** : anodized aluminium profiles, thermal bridge-free.
- Colour of door leaf** : standard colours RAL 6010 (green), RAL 9016 (white) or RAL 5005 (blue). Door leaf finished in colour to be specified at additional price.
- Sealing** : all round by means of rubber profiles.
- Door frame** : anodized aluminium profiles with a complete thermal bridge-free fit to the wall.
- Rail system** : anodized aluminium drop/lift rail system type SRA with dust cap (horizontal), galvanized guiding system (vertical).
- Operation** : manually operated (horizontal), chain operated (vertical). Electrical operation at additional price.
- Openers** : inside and outside opener included (horizontal).
- Locks** : not included. Available at additional price.
- Additional options** : door leaf constructed of steel sandwich panels in standard colour RAL 9002 (light grey), double-door version, special stainless steel version (see stainless steel documentation), bumper, threshold, finish of the clear opening, rain cap and more. Also available in kit form (see separate documentation).



SALCO 

 Korenmarkt 4
NL-1681 PB Zwaagdijk-Oost

 (31) (0)228 564 200
 (31) (0)228 564 232

 info@salco.nl
 www.salco.nl